

DUAL MASTER CONTROLLER

INTRODUCTION

Dual Master Controllers are used for remote operation of Contactors in equipment such as **E.O.T. Cranes & Rolling mills drives**. The Controllers are made in dust proof enclosure in IP-41 degree of protection, up to 6 notches either side with maximum 24 contacts as per desired sequence.

Spring return arrangement & Dead man's handle arrangement are also available.

GENERAL

Dual Master Controller with one universal handle allows a crane operator to control both Bridge & Trolley motions with one handle, Simultaneous operation of Bridge & Trolley motions provide for greater spotting accuracy and faster movement of loads. The handle of joystick can be moved into any quadrant and any position. Universal controllers are also used for hoist/grab motion. Master Controller are coupled with universal joint for operation of controller individually / jointly to get desired motion operation

CONSTRUCTION

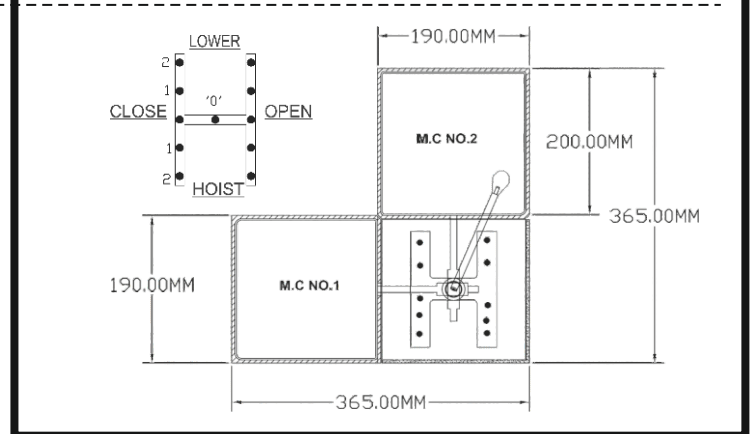
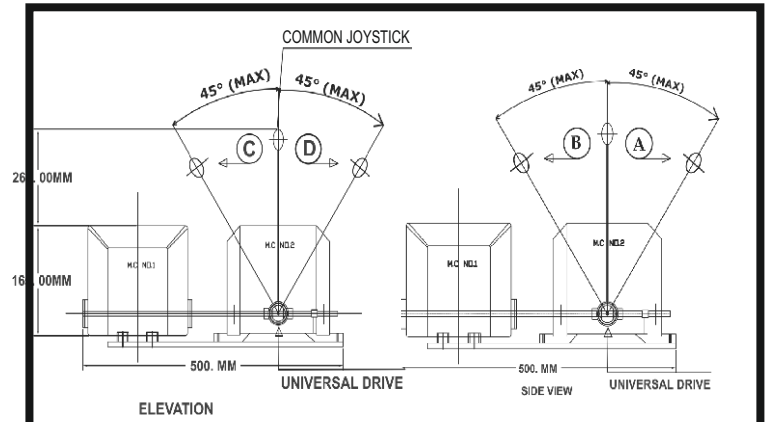
Master Controller is housed in enclosure and provided with an easily removable cover with ample area for maintenance

The cam shaft is mounted on bearing bushes on walls of housing

The cams are made of Delrin material and fixed on square.

TECHNICAL DATA

Body Material	Sheet Steel (POWDER COATED)
Protection Dgreee	IP-41
Confirming to IS	13947 (Part-1) 1993
Mounting Position	Horizontal / Vertical
Contact Material	Silver Cadmium
Rated Voltage Insulation	500 V. A.C
Thermal Test Current	40 Amps.
Cable entries	2x20, 2x26 standard conduit
Frequency of operation	1000 switching per hour
No. of contacts	16 per Controller (max.)
No. of steps	6-0-6 maximum
Contacts	Single Bracket



Note :

- 1) Master Controller no.1 operates in the direction -'a' & 'b'
- 2) Master Controller no.2 operates in the direction -'c' & 'd'
- 3) Max. No. Of cams per controller - 16.
- 4) No. Of cable entries a) dia. 20-2 nos.zz
b) dia. 26-2 nos.zz

CRANE CONTROL EQUIPMENTS



Works

B-249, Okhla Industrial Area,
Phase-I, New Delhi - 110 020

Contacts

+91-11-41016403 to 405, 9810009466,
+91-9716480766, 9212000565

Emails

info@cranecontrolequipments.com
sales@cranecontrolequipments.com

Websites

www.cranecontrolequipments.com
www.cranecontrolequipments.net